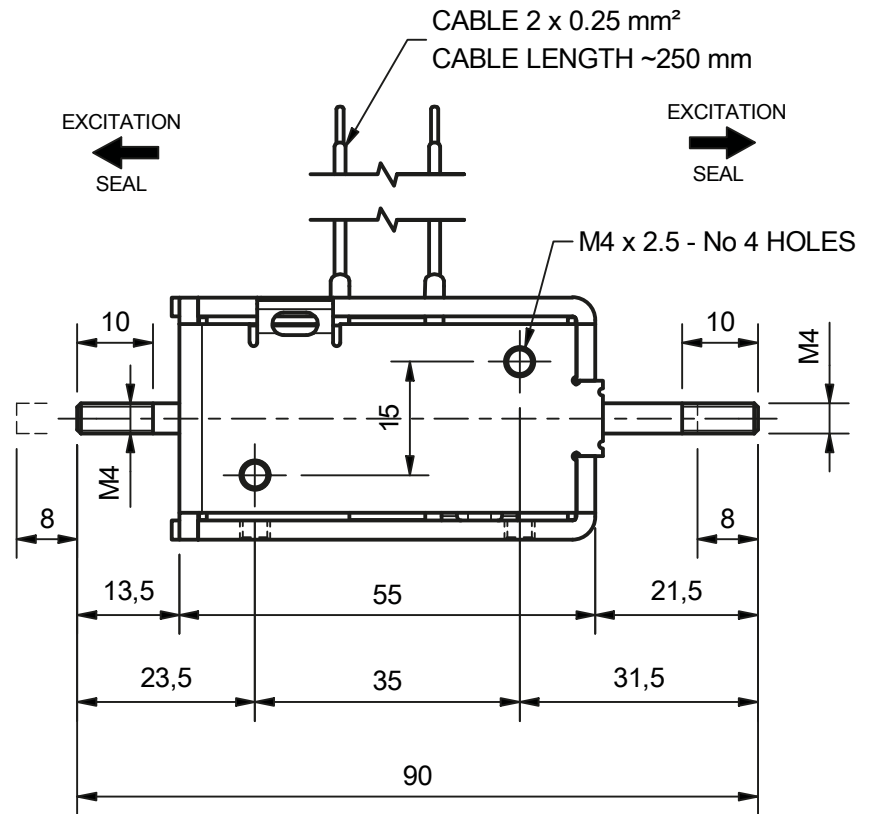
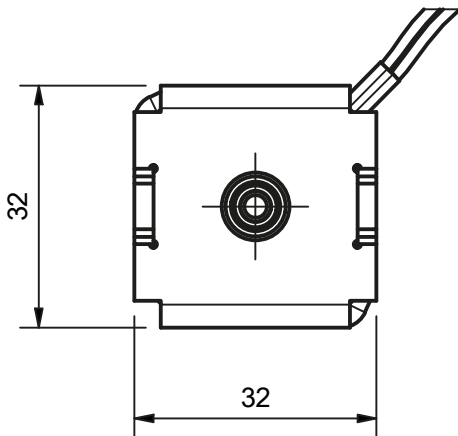


### CONNECTIONS

BROWN CABLE ( + )  
BLUE CABLE ( - )



THE FORCE INDICATED ABOVE REFER TO A SINGLE WORK CYCLE AT A TEMPERATURE OF 20°C. THE ABOVE DATA IS STRICTLY RATED; A VARIATION IN ANY OF THE DATA LEADS TO A CONSEQUENT VARIATION IN ALL OTHER DATA. SYSTEM DI ROSATI RESERVES THE RIGHT TO MAKE CHANGES TO THE DIMENSIONS AND CHARACTERISTICS DESCRIBED ON THIS DATA SHEET WITHOUT PRIOR NOTICE.

### DATA SHEET

		DEMP32V12c	DEMP32V24c
RATED POWER SUPPLY	V	12	24
COILS ABSORPTION AT 20°C	A	7.5	3.7
COILS POWER AT 20°C	W	90	86.4
TYPE POWER		VDC	VDC
DUTY CYCLE ELECTRICAL COILS PULL/PUSH	m/sec	30	30
COILS INSULATION	CLASS	H	H
WORKING STROKE	mm	8	8
PULL/PUSH FORCE AT 20°C	N	28	28
DOUBLE HOLDING FORCE AT 20°C	N	28	28
PROTECTION DEGREE	IP	30	30
TOTAL WEIGHT OF ELECTROMAGNET	Kg	0.305	0.305